

BUTTERFLY CHECK VALVE TILTING TYPE USER MANUAL

Product Information

Valve Name : BUTTERFLY CHECK VALVE TILTING TYPE
 Material : Cast Iron, Ductile Iron, Cast Steel, Stainless Steel, Bronze

Installation

Prior to installation, check the pipeline for impurities and foreign matters and clean it if necessary. Otherwise the butterfly valve and its gasket can be damaged.

Observe direction of installation according to arrow pointing in flow direction.

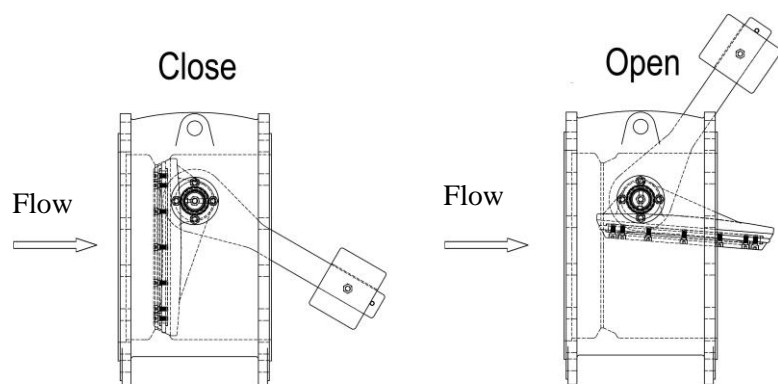
For outdoor installation, protect the valve against the direct effects of the weather.

The mating pipe flanges must be plain-parallel and concentric.

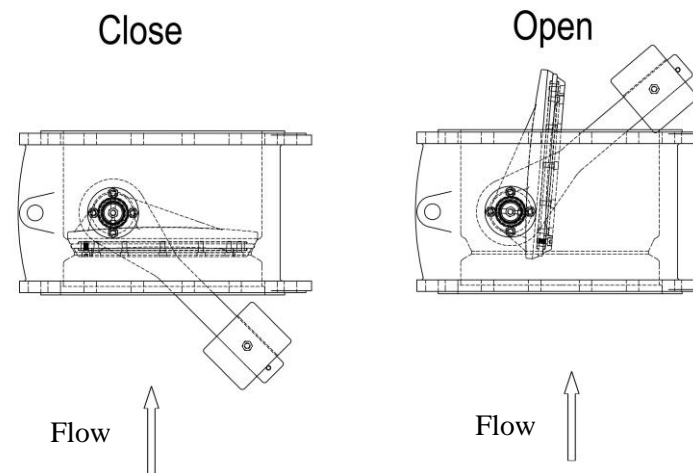
Before filling the pipeline with water, check the valve for easy running.

Tighten the connecting bolts evenly, without distortion and crosswise, applying the required torques.

Horizontal



Vertical



Application Areas

- Neutral water
- Drinking water
- Waste water
- Irrigation lines
- Water supply stations

Range of Application

Nominal size DN	Nominal pressure PN	Hydrostatic test pressure in bar	
		body	seat
100-1000	16	24	17.6

Maintenance

Replacing the valve disc seal

- Remove o-ring
- Slightly extend o-ring and evenly press into groove of the valve disc.

Transport

Transport has to be carried out carefully. Inexpert handling may cause damages to the valve.

It is not allowed to attach the lifting gears to the handwheel, the stem, the gearbox.

Storage

Do not store the valves outdoors. During the storage period, the valves have to be protected against outside influences and impurities.

If long-time storage is required, the place of storage should be selected in such a way that the following conditions are met: frost-protected, cool, dry, dust-free, dark.

***Repairing and changing components cannot be done by end user. These shall be done by manufacturer**